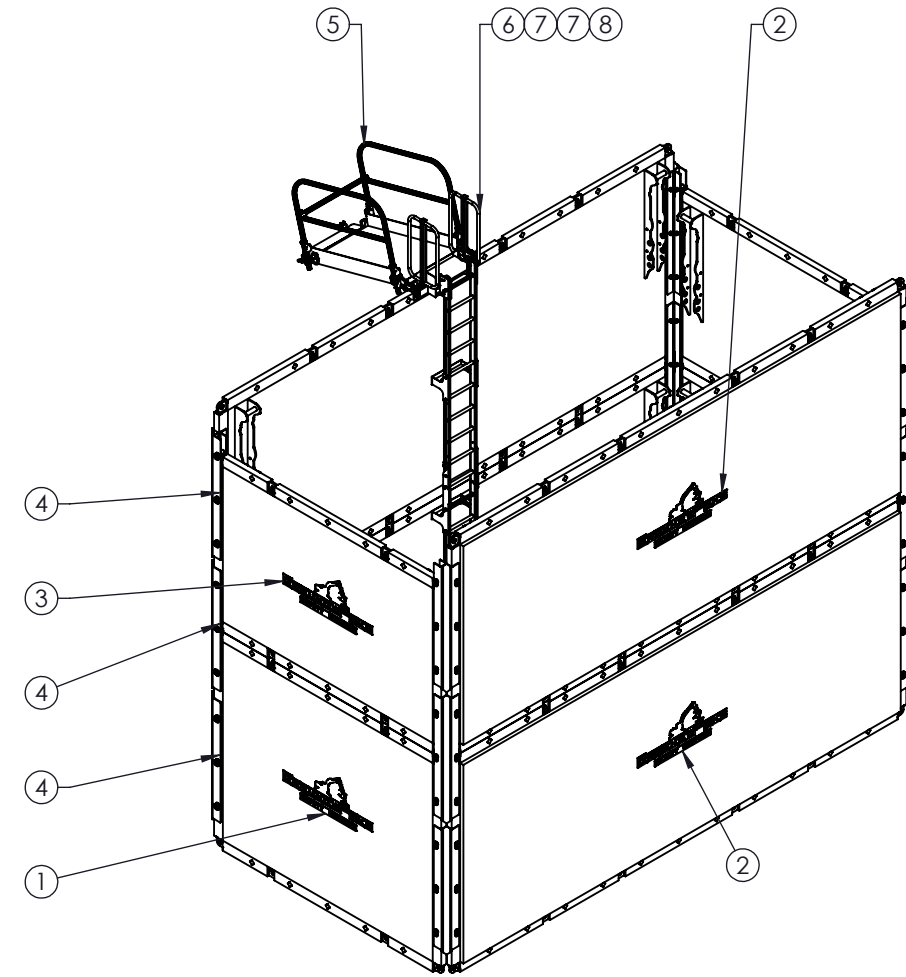
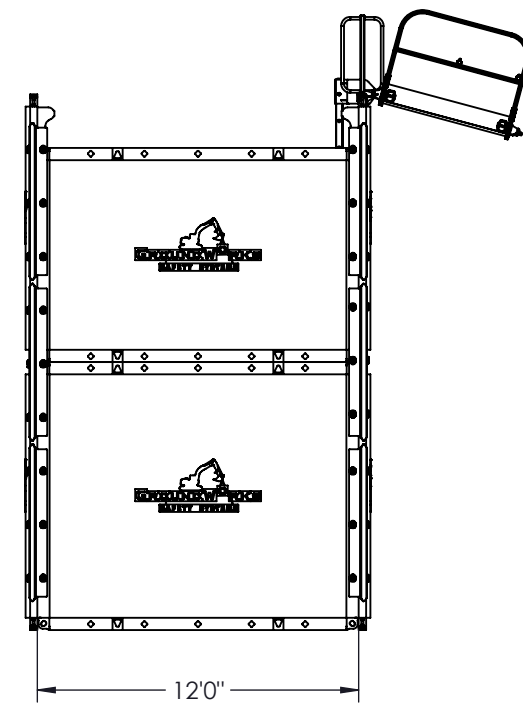
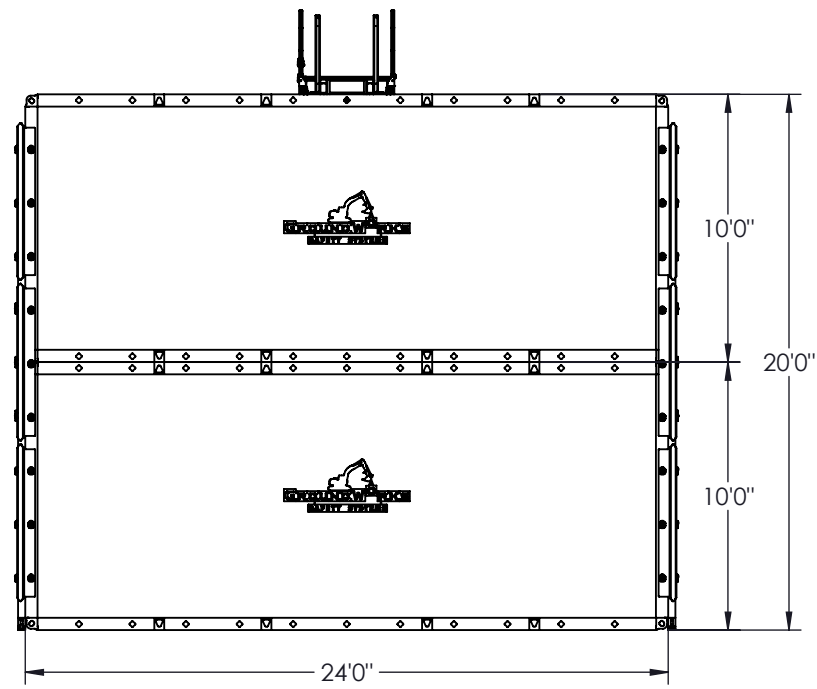
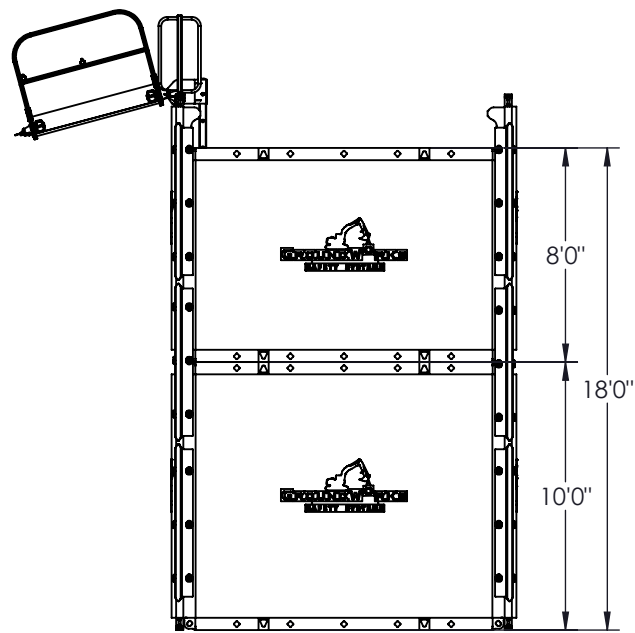
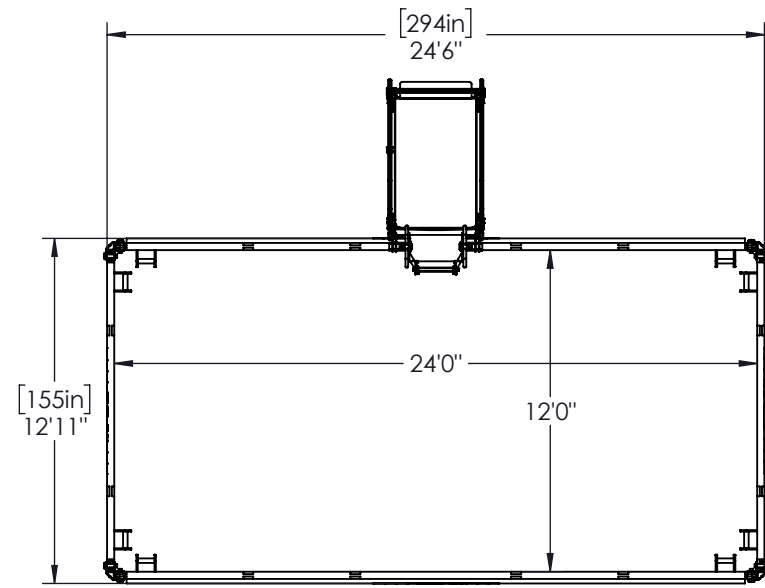


ITEM	Part Config	DESCRIPTION	Config	QTY.	Weight
1	MMB-1012	10'x12' Medium Duty Panel	MM 10X12	2	2740
2	MMB-1024	10'x24' Medium Duty Panel	MM 10X24	4	5760
3	MMB-0812	8'x12' Medium Duty Panel	MM 8X12	2	2325
4	AMB22-6	6-Foot Corner Connectors	6 PIN	12	330
5	AUN29-05	5 Foot Catwalk Section	5FT	1	340
6	AUNK5752	Fixed Ladder Platform & Bracket		1	130
7	LAFX-10	10' Fixed Aluminum Ladder		2	15
8	AUNK1652	Ladder Extension & Bracket		1	50



NOTICE OF CONFIDENTIALITY:
 INFORMATION INCLUDED IN THIS DRAWING
 IS PROPRIETARY, AND IS NOT TO BE
 REPRODUCED, DISTRIBUTED, OR DISCLOSED
 EXCEPT AS SPECIALLY AUTHORIZED IN
 WRITING BY GROUNDWORKS SAFETY
 SYSTEMS, INC.

SCALE: 1:86
 DATE: 2026-02-24
 WEIGHT: 37680 lbs



4207 53rd Street Close, Innisfail,
 Alberta, T4G 1P9

DWG TITLE: HM 10X24 24LX12WX20D_4S CW_L